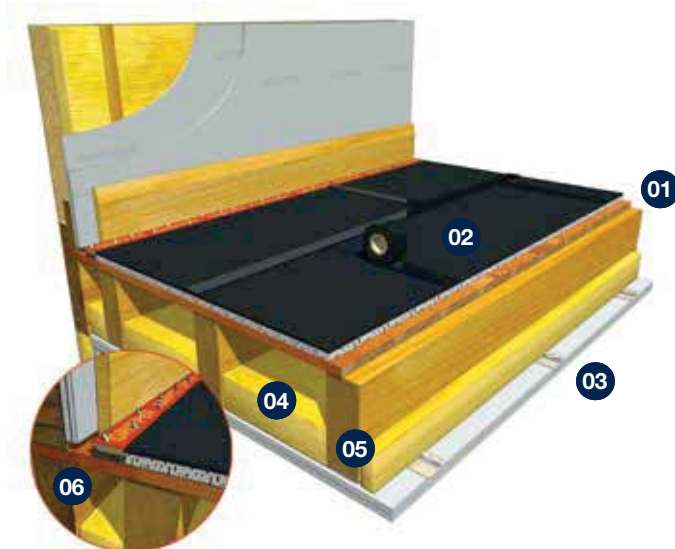


Acoustic Impactalay

RESILIENT OVERLAY MATTING



Datasheet 10



- 01** Existing Subfloor
- 02** JCW Impactalay
- 03** Resilient Bars and 2 layers x 15mm Acoustic Plasterboard
- 04** 100mm x 45kgs/m³ Acoustic Slab
- 05** 225mm depth Timber Joists
- 06** JCW Gripper Support Strip (if req'd for carpets)

Product Code: Impactalay (12mm) 1154

Acoustic Overlay Matting System for timber and concrete floors

Impactalay: A single acoustic barrier mat layer bonded to a resilient chip foam base

Refurbishment

- Ideal domestic Impact and Airborne sound insulation product where height is restricted
- Easily cut, trimmed and shaped for fast installation
- Impact grade resilient layer bonded to 3.0mm High Performance Weight Enhanced Barrier Mat
- Can be used to bring the overall floor / ceiling construction up to the standards of Approved Document E in most lath and plaster and resiliently fixed, double plaster boarded ceilings
- Significant impact noise reduction
- Improves airborne noise insulation

PCT/PT

- 12mm Impactalay overlay system could be considered for Conversion projects based on the above structure
- It is essential the recommended components shown above are correctly installed and detailed when Pre-Completion Sound Testing is required
- For further advice, please refer to individual product installation recommendations

Sheet Size: Impactalay: 12mm x 1200mm x 1000mm (1.2 m²) **Weight m²:** 8 kgs/m² **Sheet Weight:** 9.6 kgs

UKAS accredited laboratory test data for the Floor Construction above:

Impactalay (12mm): **Impact:** 38 dB Ln,w **Airborne Rw + Ctr:** 49 dB Rw + Ctr

Method of Compliance

PCT/PT (Scotland)

Ancillary Products

1139 JCW Impactalay Gripper Support Strip	1127 JCW 9mm T&G MDF
1034 JCW Black Cloth Jointing Tape	1196 JCW Approved Adhesive

Domestic Dwellings | Offices | Hotels | Conference Centres | Leisure Centres | Schools | Restaurants | Showrooms



Unit 32-34 Waters Meeting Development
Britannia Way, Bolton, BL2 2HH

Sales helpline **01204 548400**
8.30am - 5.00pm Monday to Friday

sales@acoustic-supplies.com
www.acoustic-supplies.com

Installation Guidelines for Impactalay Range

All versions of JCW Impactalay Mats are easy to trim and fit.

For best results the mattings should be laid onto a smooth flat sub-floor. Sub-floor preparation is important to ensure that the final decorative floor finish is adequately supported and meets with your expectations. If timber sub-floors are undulating then it may be necessary to overlay with a minimum of 6mm plywood. Concrete sub-floors may require partial screed levelling.

Carpet & Gripper JCW products from the JCW Impactalay range can also act as a carpet underlay and are more than adequate for the vast majority of broadloom carpets. Prior to laying the acoustic matting the relevant JCW Gripper Support Strip should be butted up to the edges of the wall or skirting boards. Place the carpet gripper rods on top of and up to the front edge of the JCW Gripper Support Strip and secure through both into the subfloor using a minimum 30mm nail or pin. This should leave a small 5-8mm gap between the wall / skirting and gripper rod for the carpet to recess into. Butt joint the mats up to the gripper rods and complete the floor area ensuring all mats are staggered row by row. The mats can be loose laid however we suggest that all joints are secured using JCW Black Cloth Jointing Tape to reduce the possibility of joints curling and potentially showing through the carpet.

Floated Engineered Wood Planks with interlocking or bonded T&G joints (14mm thickness or over) Final floor finishes of this type can be floated and laid directly on top of all JCW Impactalay range products. All board joints should overlap the matting joints by at least 100mm.

Thin Wood Laminates and Engineered Wood Planks of less than 14mm Thin laminates will generally require additional support to prevent the joints from dipping and snapping. We suggest adhesive bonding on top of the matting a minimum overlay of 5.5mm MDF or plywood with an approved adhesive. Any T&G joints on these boards should be bonded with an approved adhesive.

Bonded Carpets / Carpet Tiles These floor finishes will require additional support to prevent the joints dipping and creasing the soft floor covering. We suggest adhesive bonding on top of the matting a minimum overlay of 5.5mm MDF or plywood with an approved adhesive. Any T&G joints on these boards should be bonded with an approved adhesive.

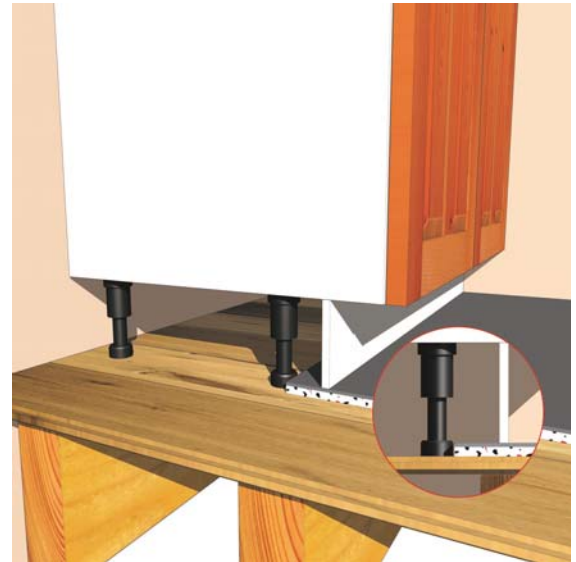
Bonded Vinyl/ Lino Sheets or Tiles & Rubber These floor finishes will require additional support to prevent any joint movement & dipping that may result in the material creasing at the joints. We suggest adhesive bonding on top of the matting a minimum overlay of 5.5mm MDF or plywood with an approved adhesive. Any T&G joints on these boards should be bonded with an approved adhesive. Some additional sanding & joint preparation may still be required to provide a suitably smooth surface.

Ceramic, Porcelain & Stone Tiles These floor finishes will require additional support to avoid any movement and cracking of the grouting at joints. We suggest adhesive bonding on top of the matting a minimum overlay of 15mm plywood with an approved adhesive.

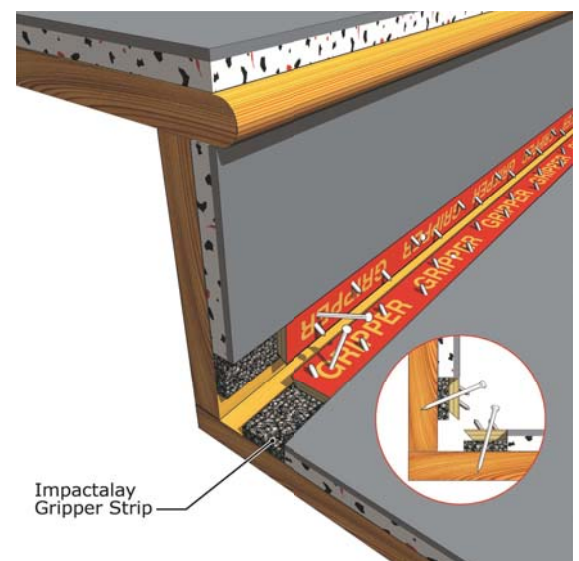
Adhesive Bonding For all of the above please contact our technical department for details of approved adhesives.

NOTE: We strongly advise checking first with the manufacturer of the final floor finish in all of the above scenarios as to their recommended installation requirements. Also for all of the above please contact our technical department for details of approved adhesives.

Kitchens, Bathrooms & Toilets Kitchen units and bath tubs should be mechanically fixed to the subfloor with the JCW Impactalay product butted up to the legs and/or feet as shown below. WC & sink pedestals should be mounted on top of a plywood that is fixed to the subfloor. The plywood should be of equivalent thickness to the relevant JCW Impactalay Range product (and overlay board if applicable) and cover the footprint of the item. The chosen Impactalay product is then butted up to the plywood therefore maintaining a consistent floor level.



Stairs The relevant product from the JCW Impactalay range should be cut to the appropriate sizes before installation. The product should be bonded to the tread of the stair and, if airborne reduction is required also then bonded to the riser using an approved adhesive. The product must be installed alongside the JCW Gripper Support Strip. The timber grippers are to be nailed through the rubber and into the tread and/or riser using minimum 30mm nails as per the diagram below:-



For specific advice on any of the above we recommend contacting our technical team for further guidance

Domestic Dwellings | Offices | Hotels | Conference Centres | Leisure Centres | Schools | Restaurants | Showrooms



Unit 32-34 Waters Meeting Development
Britannia Way, Bolton, BL2 2HH

Sales helpline **01204 548400**
8.30am - 5.00pm Monday to Friday

sales@acoustic-supplies.com
www.acoustic-supplies.com